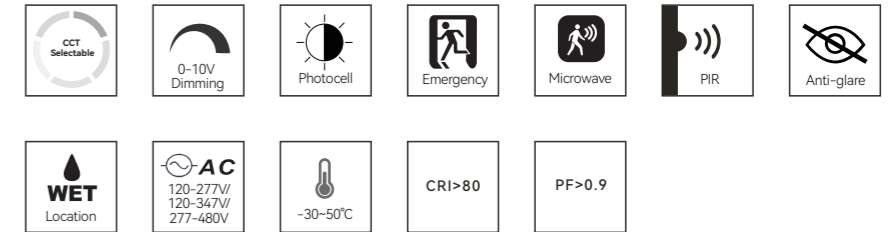


## LED CANOPY-LED GAS STATION CANOPY

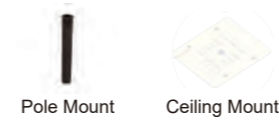


### Features

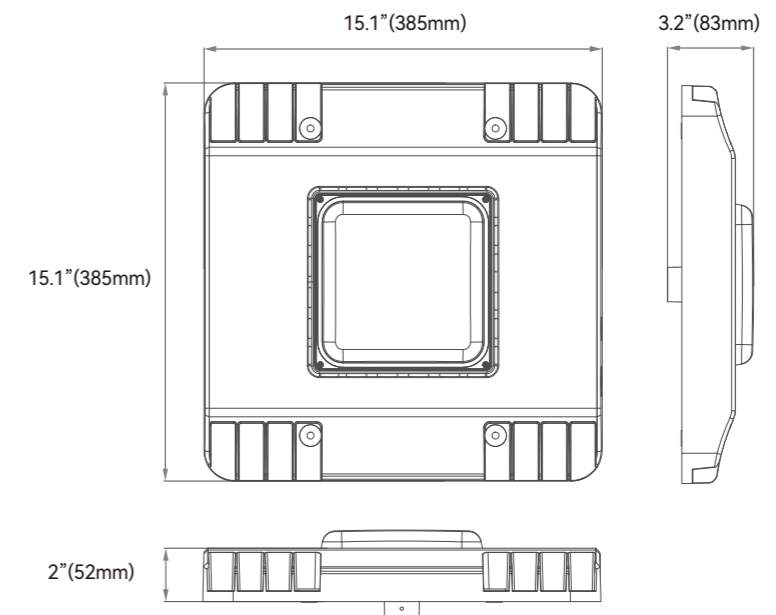
- Fins design ensures a better heat dissipation.
- Soft and uniform light.
- High efficiency 150lm/W.
- Watts & CCT selectable.
- Conduit-mounted, surface-mounted. ON/OFF photocell.
- Compatible with a variety of sensors include PIR, microwave motion sensor.
- AC120-347V & 277-480V available.



### Accessories



### Dimensions



### Specifications

Part No.	Input Voltage	Power	CCT	Lumens	Beam Angle
TS-TCP1515-150W-C-H-50K	AC120-277V	150W	5000K	19,500lm	120°
TS-TCP1515-150W-C-H-TCP		150-130-100W	40-50-57K	19,500-16,900-13,000lm	