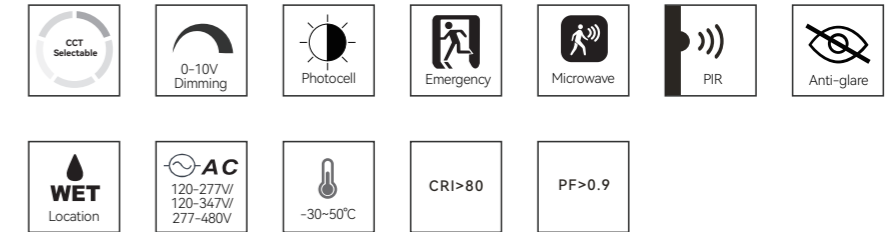


LED CANOPY-LED GAS STATION CANOPY

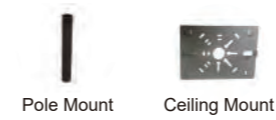


Features

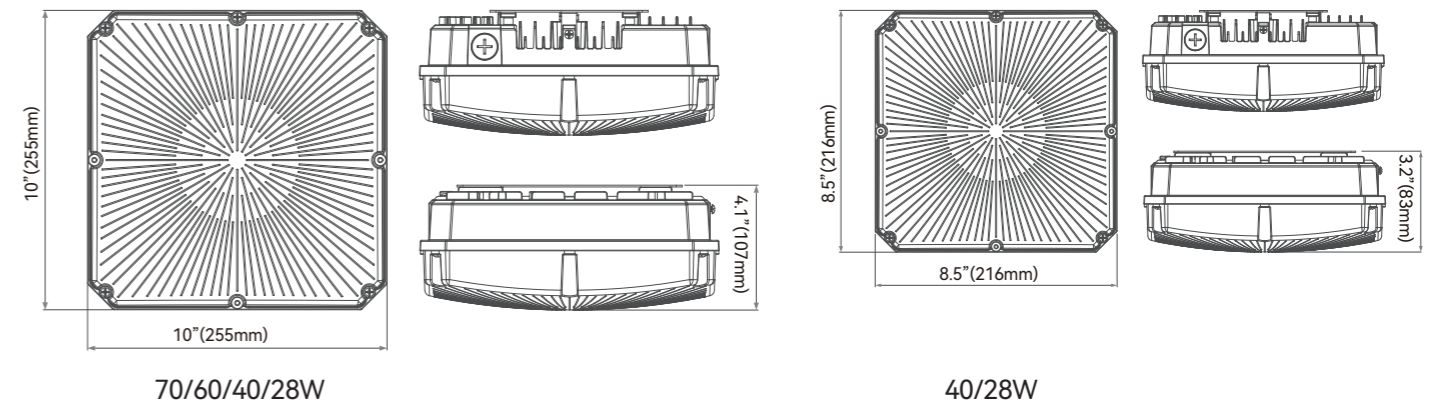
- Large light-emitting area and with very uniform light.
- Strong heat dissipation due to enough materials and external airflow fins.
- UV resistant lens and coating.
- Convenient for surface mount.
- 3/4" hub size, suitable for pole pendant installation, no need to use an adapter.
- Different specs and wattages for choice, ---8.5" (28W, 40W), 10" (28W, 40W, 60W, 70W).
- Microwave motion sensor & Photocell available.
- Watts & CCT selectable.
- AC120-347V & 277-480V available.



Accessories



Dimensions



Specifications

| Part No. | Input Voltage | Power | CCT | Lumens | Dimensions | Beam Angle |
|----------------------|---------------|-------|-------|---------|------------|------------|
| TS-GCP0830-28W-C-50K | AC120-277V | 28W | 5000K | 3,360lm | 8.5" | 135° |
| TS-GCP0840-40W-C-50K | | 40W | | 4,800lm | | |
| TS-GCP1030-28W-C-50K | | 28W | | 3,360lm | | |
| TS-GCP1040-40W-C-50K | | 40W | | 4,800lm | 10" | |
| TS-GCP1070-60W-C-50K | | 60W | | 7,200lm | | |
| TS-GCP1070-70W-C-50K | | 70W | | 8,400lm | | |