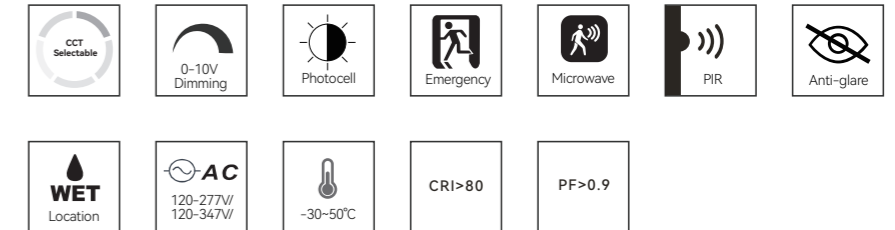


LED GARAGE CANOPY

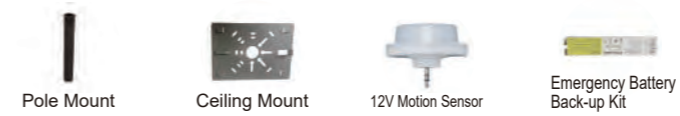


Features

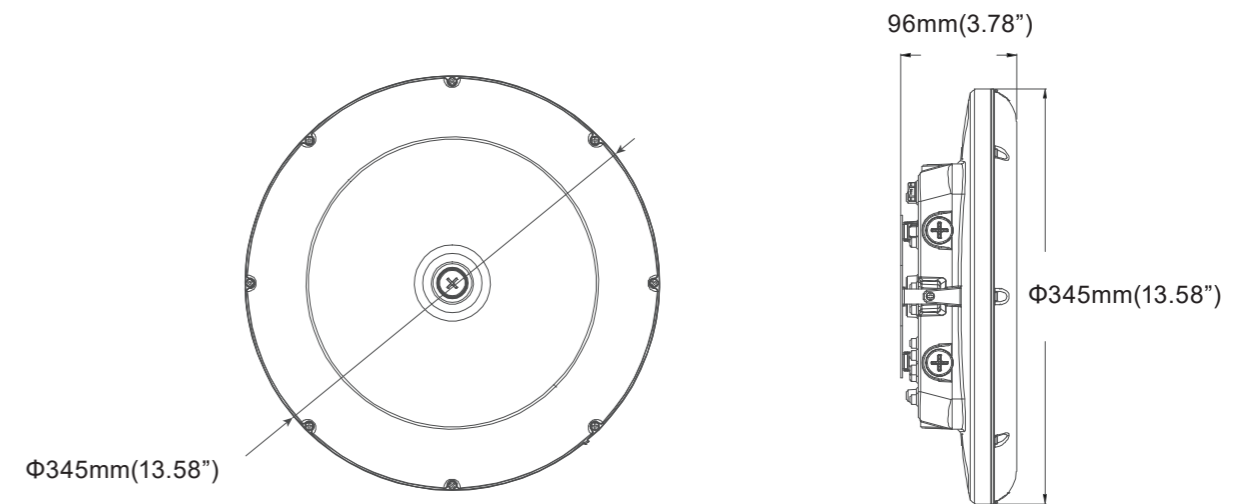
- This garage lamp is a special design for application in places like parking garage, car portdriveway, underpass, etc.
- Fins design,advective grooves between fins are good for heat dissipation.
- Professional light distribution technique, high light reflectivity reflectors, 150°beam angleavailable, Light transmission rate of lens is over 90%.
- It complies with UL certification,safe and reliable.
- LED Garage with upward and downward lighting, 10% upward light with turned off function.



Accessories



Dimensions



30W/50W/75W/100W

Specifications

Part No.	Input Voltage	Power	CCT	Lighting Efficiency	Beam Angle
TS-GCP1310-100W-DG-H-TCP(XX)	AC120-277V/	18/30/45/60W or 24/40/60/80W or 30/50/75/100W	30-40-50K	120lm/W	150°
TS-GCP1310-100W-DG-H-MV-TCP(XX)	AC120-347V				