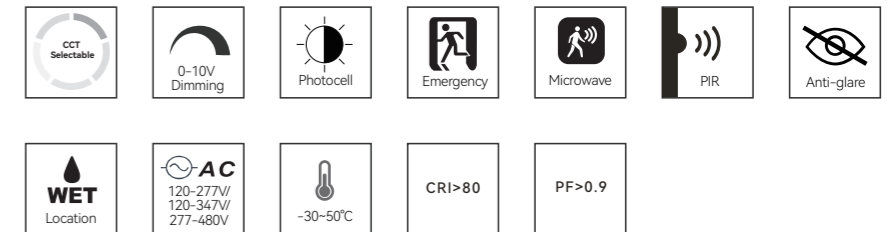


**PARKING GARAGE  
CANOPY ( BACK-LIT )**



**Features**

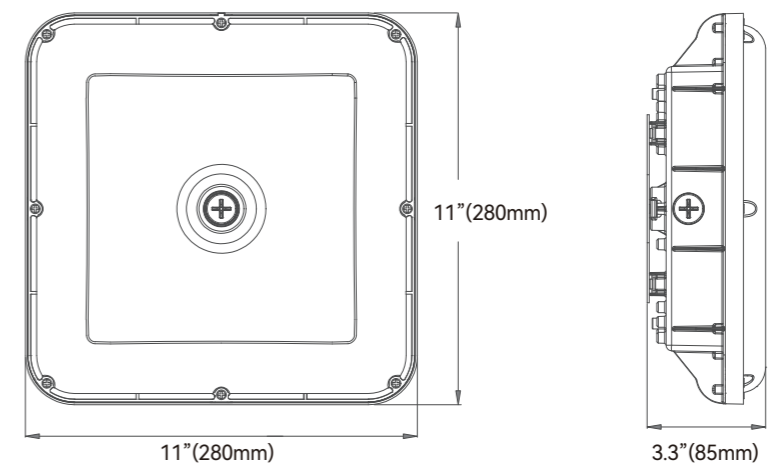
- Stylish appearance with uniform light.
- Beam angle 150°.
- Watts & CCT selectable.
- Conduit-mounted, surface-mounted, yoke-mounted and wall-mounted.
- ON / OFF photocell.
- Compatible with a variety of sensors include PIR, microwave motion sensor.
- AC120-347V & 277-480V available.



**Accessories**



**Dimensions**



**Specifications**

Part No.	Input Voltage	Power	CCT	Lumens	Beam Angle
TS-GCP1165-65W-SG-50K	AC120-277V	65W	5000K	7,800lm	150°
TS-GCP1180-80W-SG-50K		80W		9,600lm	
TS-GCP1110-100W-SG-50K		100W		12,000lm	
TS-GCP1110-100W-SG-TCP		100-80-65W	30-40-50K	12,000-9,600-7,800lm	