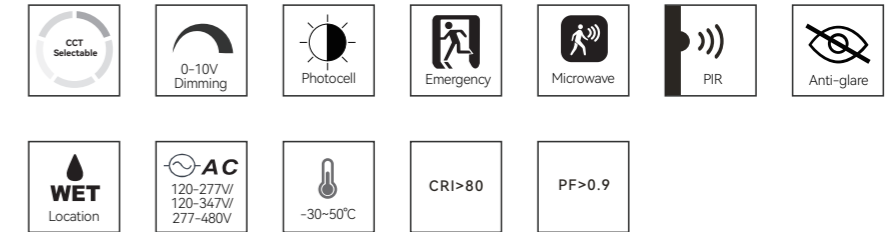


PARKING GARAGE CANOPY (ROUND)

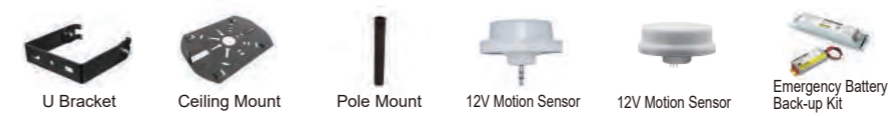


Features

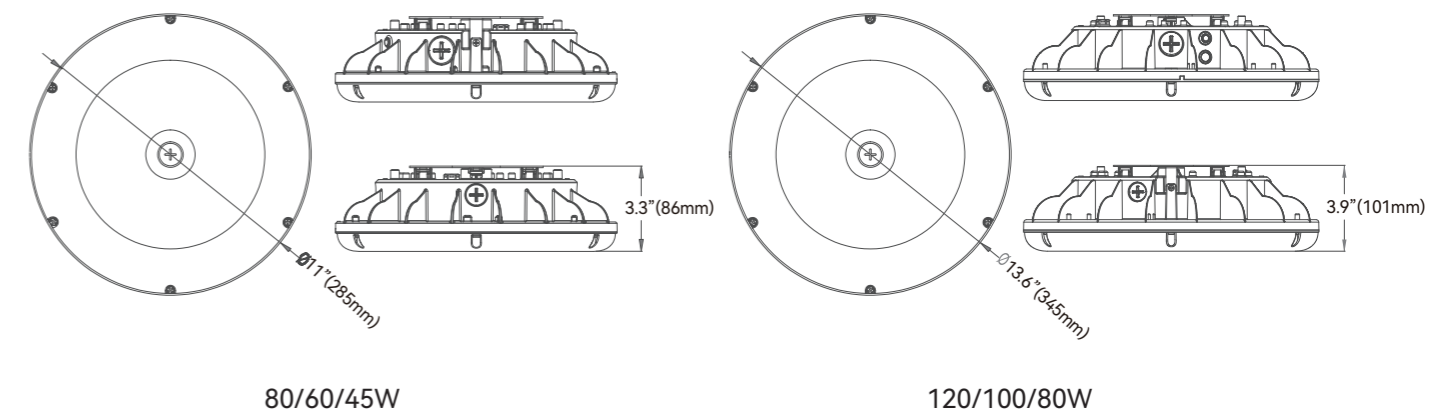
- Unique and stylish appearance.
- Size of 11" / 13.6" for options.
- Beam angle 150°. Watts & CCT selectable.
- Conduit-mounted, surface-mounted, yoke-mounted for options.
- ON / OFF photocell.
- Compatible with a variety of sensors including PIR, microwave motion sensor.
- AC120-347V & 277-480V available.



Accessories



Dimensions



Specifications

Part No.	Input Voltage	Power	CCT	Lumens	Beam Angle
TS-GCP13120-80W-G-TCP	AC120-277V	80-60-45W	30-40-50K	9,600-7,200-5,400lm	150°
TS-GCP13120-120W-G-TCP		120-100-80W		14,400-1,2000-9,600lm	