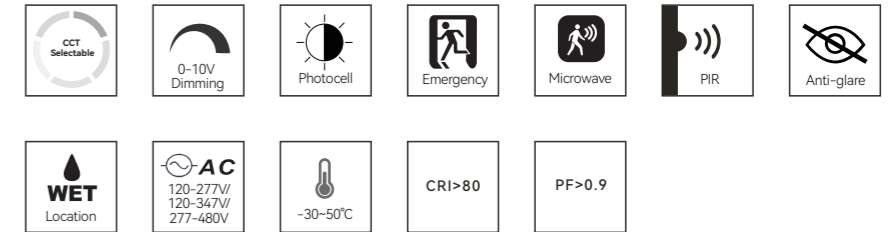
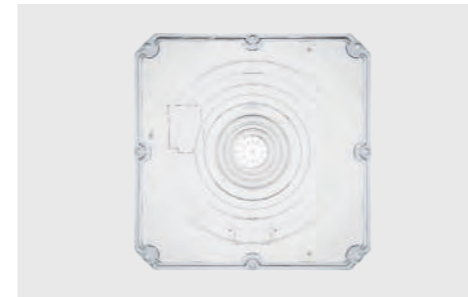


## LED CANOPY-PARKING GARAGE CANOPY

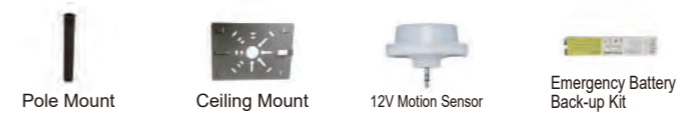


### Features

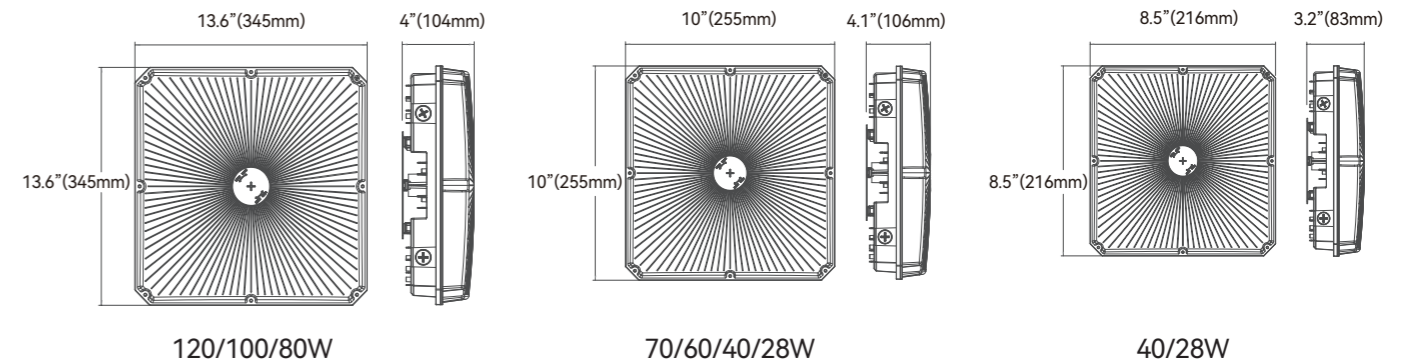
- Large light-emitting area and with very uniform light.
- Strong heat dissipation due to enough materials and external airflow fins.
- UV resistant lens and coating. Convenient for surface mount.
- 3/4" hub size, suitable for pole mount, with no need of using an adapter.
- Different specs and wattages for choice, ---8.5"(28W, 40W), 10"(28W, 40W, 60W, 70W), 13.6"(80W, 100W, 120W).
- Suitable for wet location Waterproof Ip65.
- Microwave motion sensor & Photocell available.
- AC120-277V as standard, AC120-347V & 277-480V available.
- Watts & CCT selectable.



### Accessories



### Dimensions



### Specifications

Part No.	Input Voltage	Power	CCT	Lumens	Dimensions	Beam Angle
TS-GCP0830-28W-G-50K	AC120-277V	28W	5000K	3,360lm	8.5"	150°
TS-GCP0840-40W-G-50K		40W		4,800lm		
TS-GCP1030-28W-G-50K		28W		3,360lm	10"	
TS-GCP1040-40W-G-50K		40W		4,800lm		
TS-GCP1070-60W-G-50K		60W		7,200lm		
TS-GCP1070-70W-G-50K		70W		8,400lm		
TS-GCP1040-40W-G-TCP		40-30-25W	30-40-50K	4,800-3,600-3,000lm	13.6"	162°
TS-GCP1070-70W-G-TCP		70-60-45W	8,400-7,200-5,400lm			
TS-GCP1380-80W-G-50K		80W	9,600lm			
TS-GCP13100-100W-G-50K		100W	12,000lm			
TS-GCP13120-120W-G-50K		120W	14,400lm	30-40-50K	14,400-1,2000-9,600lm	
TS-GCP13120-120W-G-TCP		120-100-80W				