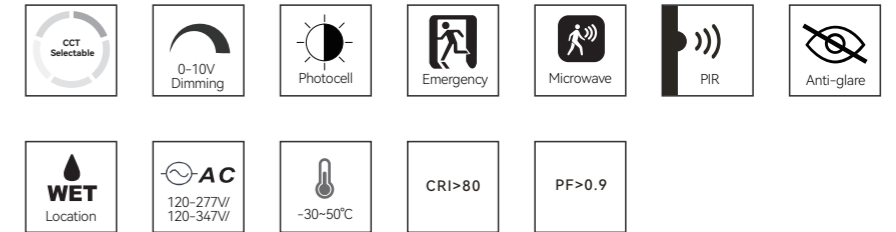


ROUND LED CANOPY/ GARAGELIGHT -STARS SERIES

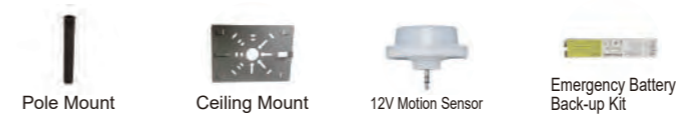


Features

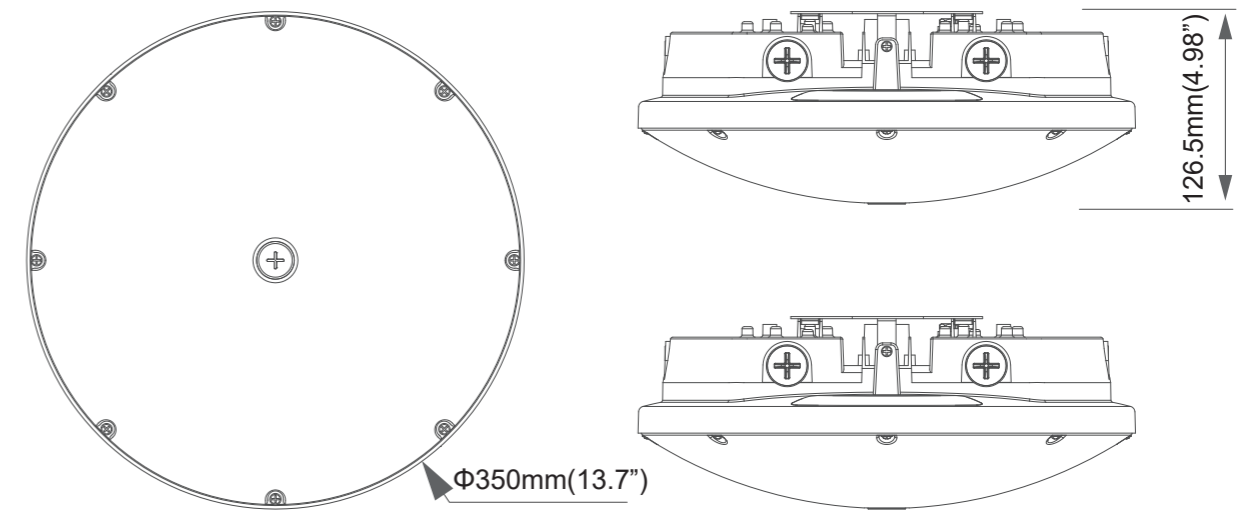
- This garage lamp is a special design for application in places like parking garage, car port/driveway, underpass, etc.
- Fins design, advective grooves between fins are good for heat dissipation.
- Professional light distribution technique, high light reflectivity reflectors, 150° beam angle available, Light transmission rate of lens is over 90%.
- It complies with UL certification, safe and reliable.
- This light features an up-and-down lighting design, with the upward light accounting for 10% and the option to turn off the upward light independently.
- The light can be installed in three ways: ceiling mount, pendant mount, and large U-bracket mount.



Accessories



Dimensions



25W/50W/75W/100W

Specifications

Part No.	Input Voltage	Power	CCT	Lighting Efficiency	Life span	Beam Angle
TS-GCP1310-100W-SGT-TCP-(XX)	AC120-277V/	25/50/75/100W	30-40-50K	120lm/W	≥ 50,000H	150°
TS-GCP1310-100W-SGT-H-MV-TCP(XX)	AC120-347V					