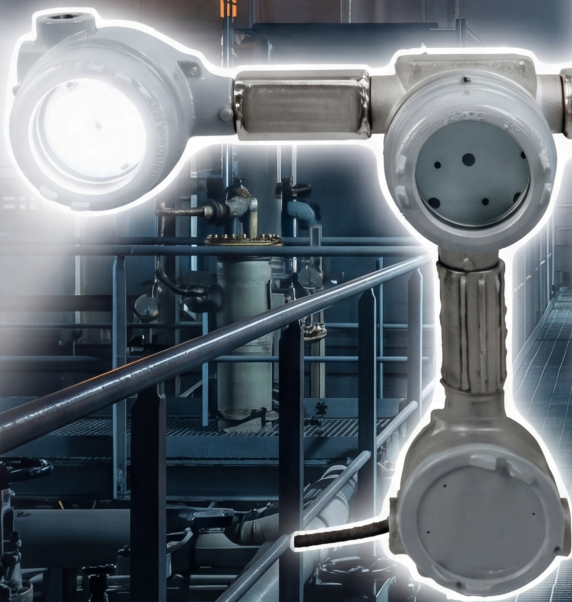


ES05 SERIES

LED EXPLOSION PROOF EXIT LIGHT



ES05

LED Explosion Proof Exit Light



Explosion Proof Bug Eye
Emergency LED Fixture
(with Sensor)



Explosion Proof Emergency Exit Sign

Certifications:

- ◆ Ingress Protection: IP66
- ◆ Ambient Temperature: 0°C to 45°C (32°F to 113°F)

Key Features:

- ① Low power consumption.
- ② Emergency time up to 1.5 hours.
- ③ Instant on/off operation, no flickering, delays or buzzing.
- ④ Constructed of extruded copper-free aluminum alloy for better corrosion resistance.
- ⑤ Short circuit and voltage surge protection.
- ⑥ The fixture's body is treated with powder coated aluminum for anti-corrosion.

Additional Features:

- ◆ Equipped with a low-voltage circuit breaker which prevents damage to the battery caused by a deep discharge.
- ◆ Excellent performance of vibration and impact resistance.
- ◆ Significantly cooler operation.

LED Explosion Proof Exit Light - ES05

Standard Materials:

- ◆ Body: Stainless steel and aluminum
- ◆ Sign Panel: Glass

Technical Data:

Model	Wattage	Operating Voltage	CRI	CCT	Emergency Time
ES05	3W-6W	AC120-277V	80	5000K	>1.5 hours

Panel Sign Options:

A: **EXIT**

D: 

G: 

J: 

B: 

E: 

H: 

K: **EXIT** 

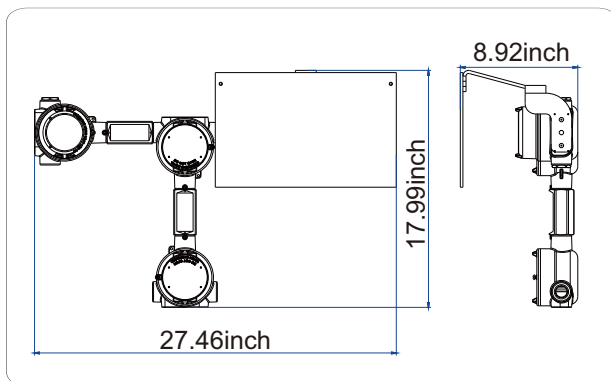
C: 

F: 

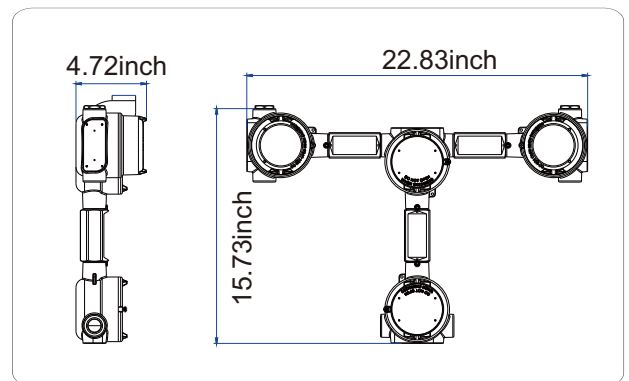
I: 

Dimension:

◆ ES05 with sign panel:



◆ ES05 without sign panel:



Packing Information:

Model	Quantity/Carton	Packing Size	Net Weight	Gross Weight
ES05 with sign panel	1 PCS	29.45x19.96x10.91inch	10 kg/ 22.05 lbs	13 kg/ 28.66 lbs
ES05 without sign panel	1 PCS	24.80x17.72x6.96inch	7.5 kg/ 16.53 lbs	10 kg/ 22.05 lbs

LED Explosion Proof Exit Light - ES05

Mounting:

