



# HL Series

Explosion Proof Linear Light





## Product Description

The HL Series LED luminaire is the ideal choice for marine and hazardous applications. They can be used in locations where moisture, dirt, dust, corrosion and vibration may be present, or areas where wind, water, snow or high ambient can be expected.

## Features

- Dimmable and battery backup function is available.
  - High-quality SMT LED and Meanwell driver.
  - Heavy-duty and high impact resistance.
  - Replaceable LED board and drivers.
  - Integrated junction box for driver.
  - Marine rating powder coated finish treatment.
  - Various installation ways for different applications.
- 5-year warranty.  
Low temperature applications to -40°C (-40°F) and high temperature up to +65°C (140°F).

## Compliance

Class I, Division 2, Groups A, B, C, D

UL 1598

UL 1598A

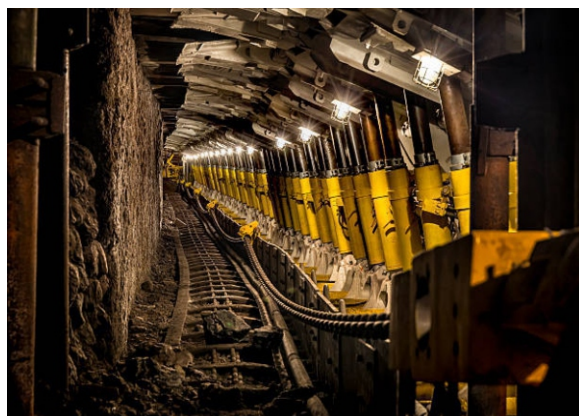
WET location

IK07/IK10



## Application

- Oil and gas industry
- Ocean, marine and aerospace field
- Chemical industry
- Food and alcohol industry
- Metal treatment
- Other high humidity, high dust, high temperature, vapor locations.



## Warranty

5-Year Standard Warranty

LED lumen Maintenance: L70> 150,000 Operation Hours@55°C

## Technical Parameter

### • Electrical

Specification	EX-xxxW HL2YZDEFGHI*	EX-xxxW HL4YZDEFGHI*
Rated Power	20/30/40/50/60/70/80/100W	40/50/60/70/80/100/120/150/180/200W
Input Voltage	120-277VAC/200-480VAC	
Input Frequency	50/60Hz	
Power Factor	> 0.95	
Emergency	1.5 hours	

### • Optical

Specification	EX-xxxW HL2YZDEFGHI*	EX-xxxW HL4YZDEFGHI*
Lumen Output	Max.15000lm	Max.30000lm
Lumens Per Watt	Max. up to 150lm/W	
CRI	>70(standard) ; >80(optical)	
Beam Angle	30°/45°/60°/90°/120°/T2/T3/T4/T5	
Dimming	0-10V dimming	

### • Environmental

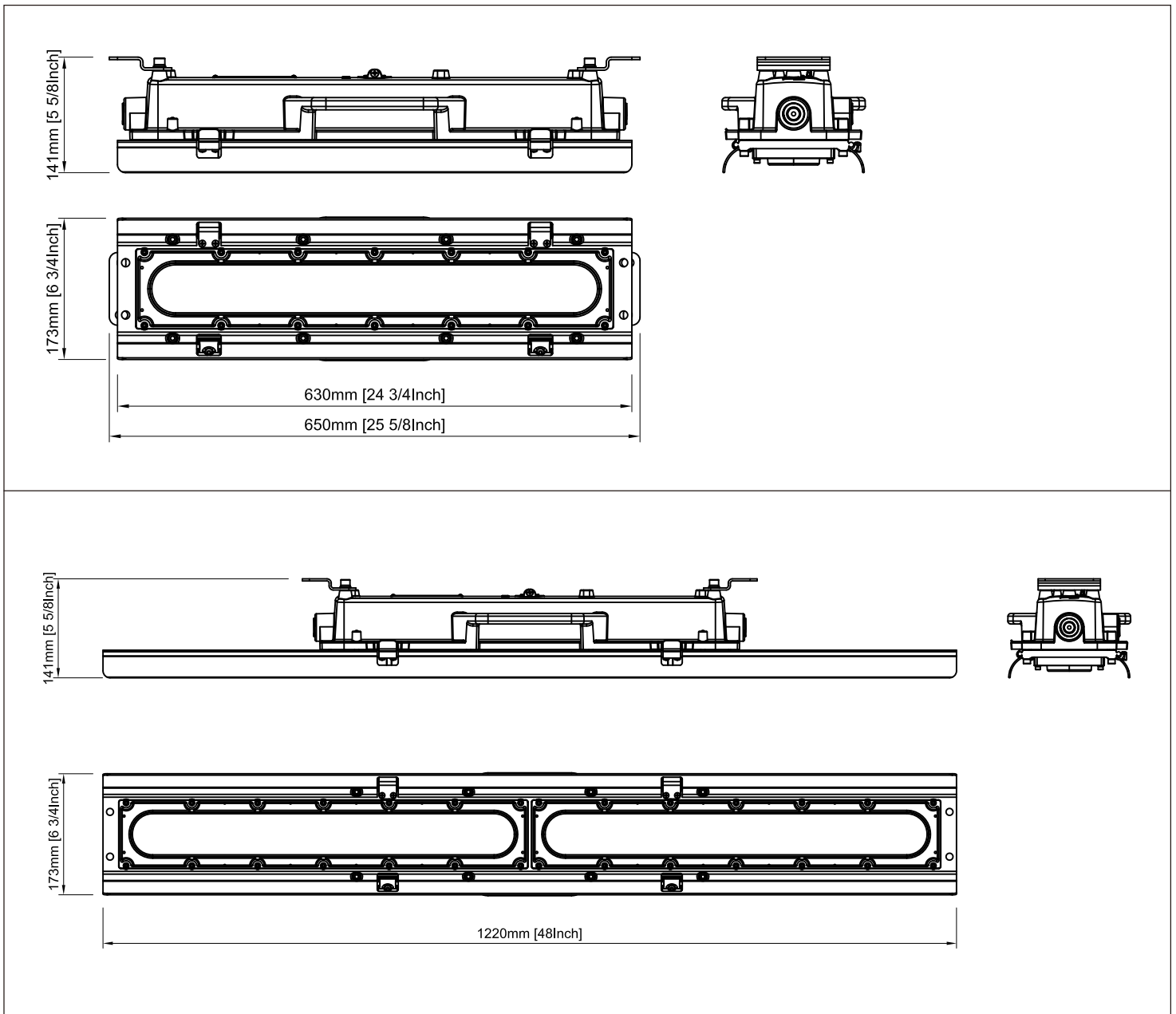
Specification	EX-xxxW HL2YZDEFGHI*	EX-xxxW HL4YZDEFGHI*
Ambient Operating Temperature	-40°C to +65°C	

### • Mechanical

Specification	EX-xxxW HL2YZDEFGHI*	EX-xxxW HL4YZDEFGHI*
Housing Material	Copper-free aluminum	
Lens	PC	
Hardware	Stainless steel	
Fixture Color	Gray RAL7040(Standard)	
Protection	IK10(pc cover) or IK07(glass cover) / IK10(glass with wire guard)	
Mounting	Ceiling, Wall, Pole, Hook Pendant, Stanchion, Wall, Trunnion	
Cable Entries*	Side:3/4"NPT(standard);M20,M25,1/2"NPT(optional) TOP:3/4"NPT(standard);M25(optional)	

*cable entries, 3/4" NPT is standard. Others can be achieved with an adapter, and customer needs to indicate which required when placing an order.*

## Product Dimensions



### ● Packing Information

Model	Net Weight*	Gross Weight*	Quantity/Carton	Package Dimensions (LxWxH)
HL2	4 kg/ 8.82 lb	4.5 kg/ 9.92 lb	1 pc	730x400x290mm (28.74x15.75x11.42inch)
HL4	5.5 kg/ 12.13 lb	7.3 kg/ 16.09 lb	1 pc	1320x400x290mm 51.97x15.75x11.42inch

\*Please note that net weight and gross weight may be subject to change because of actual configuration.

## Ordering Guide

EX - XXXW - HLx YZDEFGHI\*

1
2
3
4
5
6
7
8
9
10
11
12

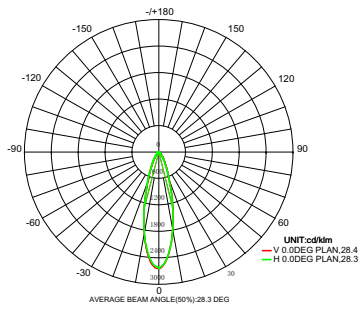
1. Model series	2. Wattage	3. Products Series	4. Input Voltage
Explosion-proof Light	HL2 & HL2U: 20/30/40/50/ 60/70/80/100W HL4 & HL4U: 40/50/60/70/ 80/100/120/150/180/200W	HL2 HL4 HL2U HL4U	1=100~277Vac 2=200~480Vac 3=120~277Vac

5. Dimming Option	6. LED Chip	7. CCT	8. Beam Angle	9. Diffuser Type
N=Non-dimmable D=Dimmable	50=SMD5050 28=SMD2835	20=2000K, 30=3000K, ..., 65=6500K 75=7500K,	D30=30 °      T2=Type II D45=45 °      T3=Type III D60=60 °      T4=Type IV D90=90 °      T5=Type V D120=120 °	CFG = Clear Flat Glass FFG = Frosted Flat Glass CFP= Clear Flat PC FFP= Frosted Flat PC CCP= Clear Convex PC FCP= Frosted Convex PC

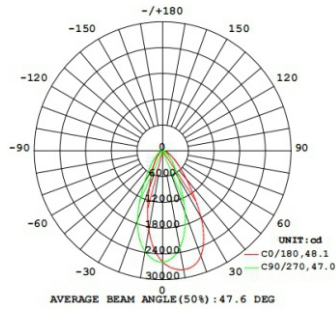
10. Driver Box Cover	11. Backup Power Source	12. Commercial use only
E= Driver Box E F= Driver Box F G= Driver Box G H= Driver Box H	“-EM”=Backup Power; Blank= without Backup Power	Represent a number for commercial use only

# Photometric

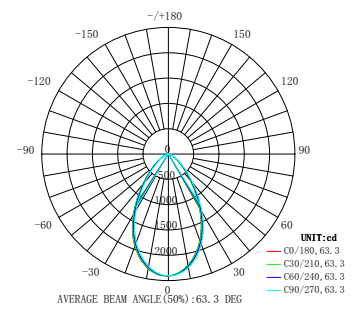
Beam angle: 30°



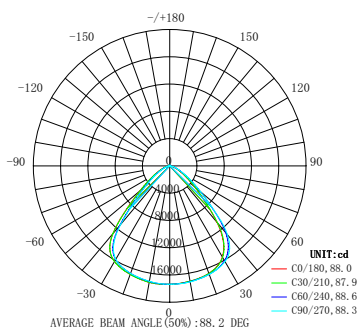
Beam angle: 45°



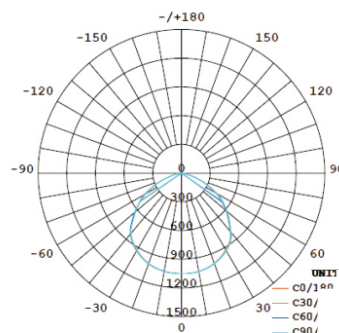
Beam angle: 60°



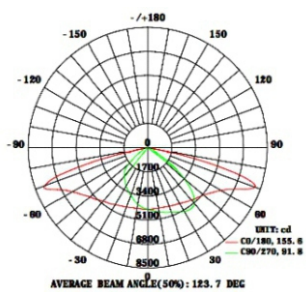
Beam angle: 90°



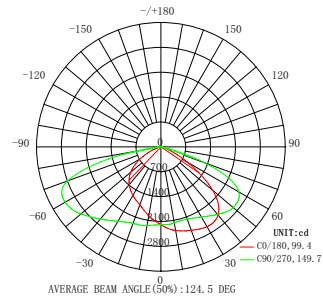
Beam angle: 120°



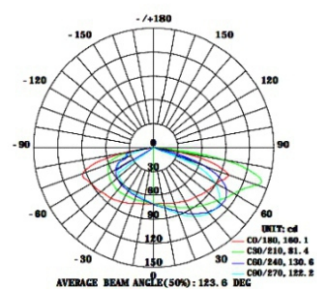
T2



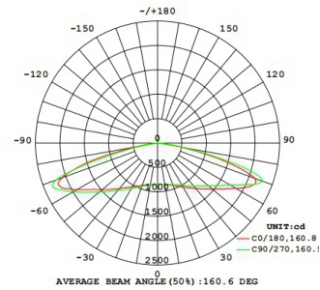
T3



T4

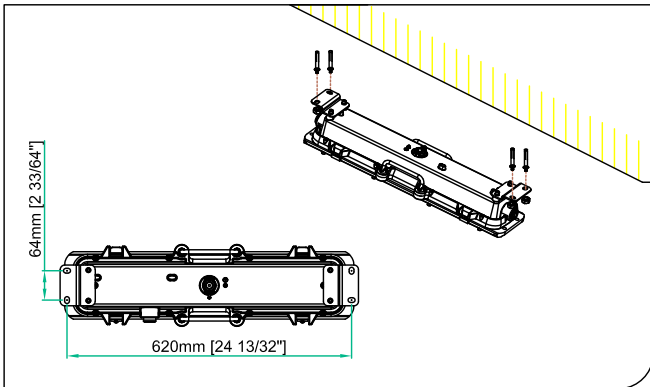


T5

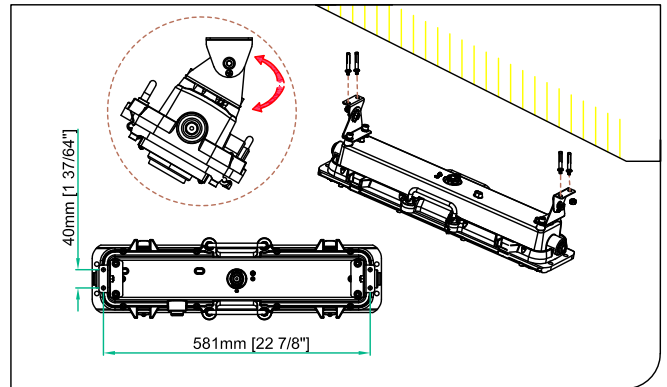


## Mounting Methods

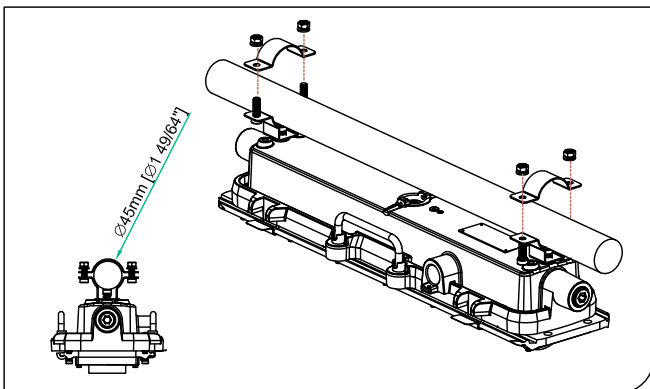
Option 1: Bracket Mounting (A):



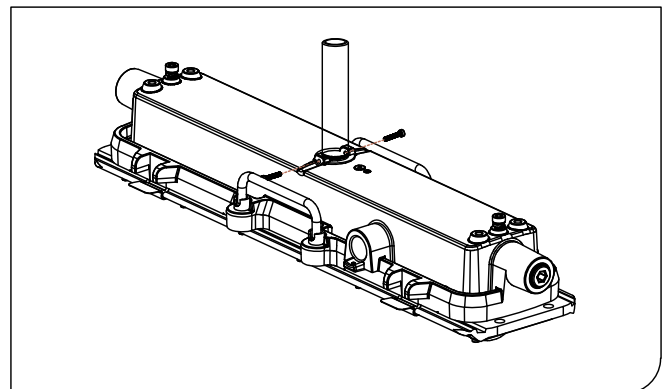
Option 2: Bracket Mounting (B):



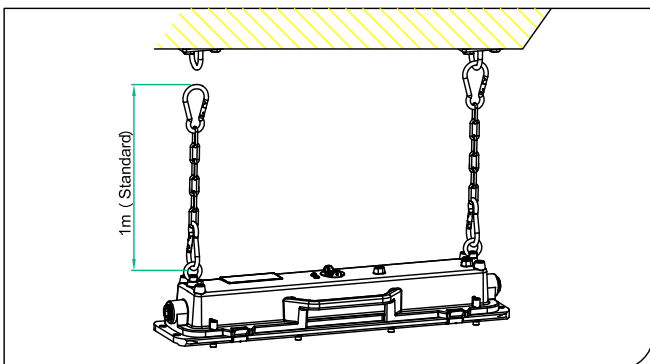
Option 3: Pole Mounting:



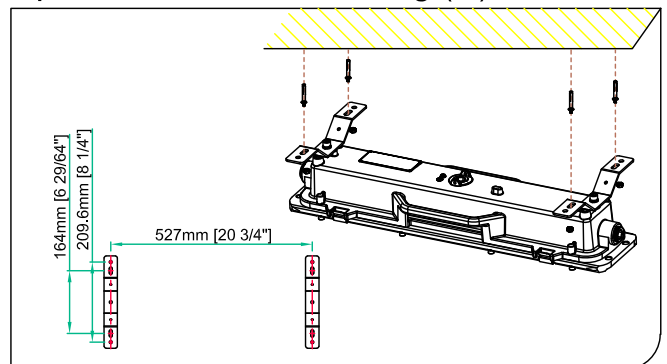
Option 4: Pole Pendant Mounting:



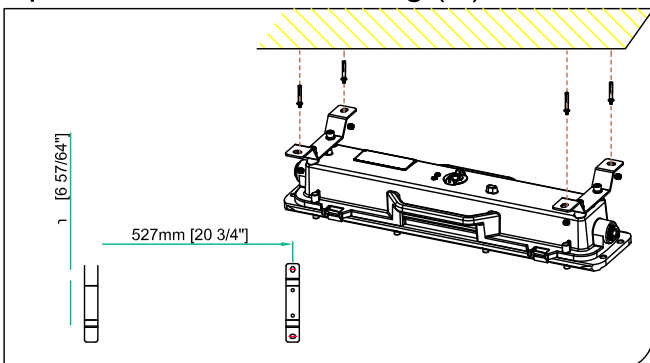
Option 5: Chain Pendant Mounting:



Option 6: Bracket Mounting (C):



Option 7: Bracket Mounting (D):



Option 8: Bracket Mounting (E):

