

EX-I Series

Hazardous Location LED Linear Luminaire





EX-I

Hazardous Location LED Luminaire

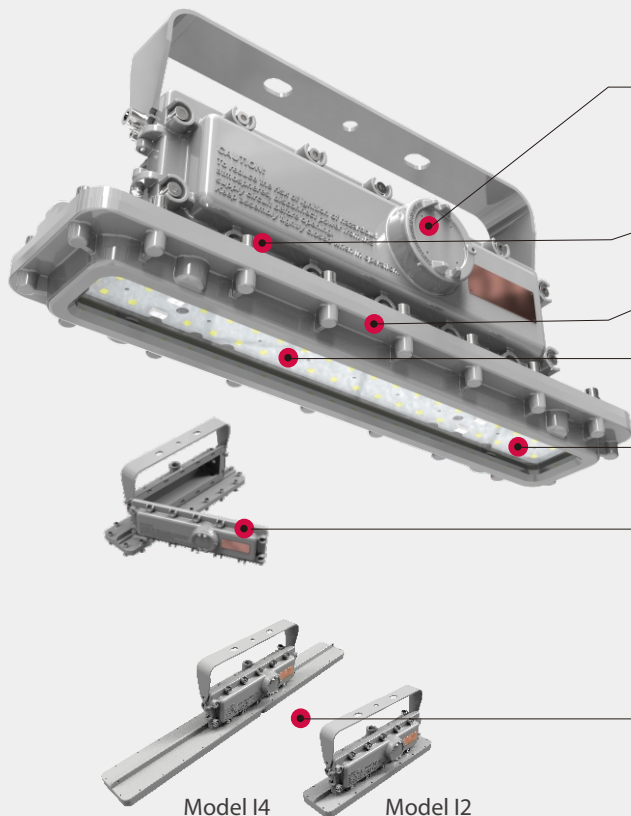
The EX-I Series LED luminaire is the ideal choice for marine and hazardous applications where a linear design is required. And the power and color temperature can be adjusted. Featuring the design of structure, the power box can be opened from the side by opening the M75 circular cover, without the need to loosen multiple screws, easy and convenient for installation and maintenance.

Compliance

- UL844 Hazardous Locations
- Class I Division 1, Groups C, D
- Class I Division 2, Groups A, B, C, D
- Class II Division 1, Groups E, F, G
- Class II Division 2, Groups E, F, G
- Class III
- UL1598
- UL1598A
- IP66
- IK08

Applications

- ✓ Heavy Industrials Storage Facility
- ✓ Paper Mills
- ✓ Chemical Processing Facility
- ✓ Power Plants
- ✓ Petrochemical Processing Facility
- ✓ Offshore Environments
- ✓ Wastewater Treatment Plants
- ✓ Food and Alcohol Industry



Built tough.

- Power box can be opened from the side by opening the M75 circular cover, convenient for installation and maintenance, significantly saving manpower and installation time
- Stainless-steel hardware, great anti-corrosion
- Copper-free aluminum housing, excellent corrosion resistance and cooling performance
- UV stable and impact resistant clear diffused tempered glass lens to minimize glare
- High-quality SMT LED, efficacy up to 130 lumens per watt
- Features a side-opening box design for secure closure and drop prevention.
- Available in two lengths: 2 feet, 4 feet

Technical Parameter

• Electrical

Model	EX-xxxW I2	EX-xxxW I4
Working Wattage*	20W-100W	20W-200W
Standard Setting (Adjustable)	40W(30W)/50W/60W 60W/80W/100W	40W(30W)/50W/60W 60W/80W/100W 120W(100W)/150W/200W
Input Voltage	120-277VAC	
Frequency	50/60Hz	
Power Factor	> 0.95	
Emergency	Optional	
Emergency Time	1.5 hours	

*Note: Working wattage can be customized to OEM settings according to the power adjuster working theory.

• Environmental

Model	EX-xxxW I2	EX-xxxW I4
Ambient Temperature	-40°C to +40°C for T6, or -40°C to +60°C for T5, or -40°C to +66°C for T4	

• Optical

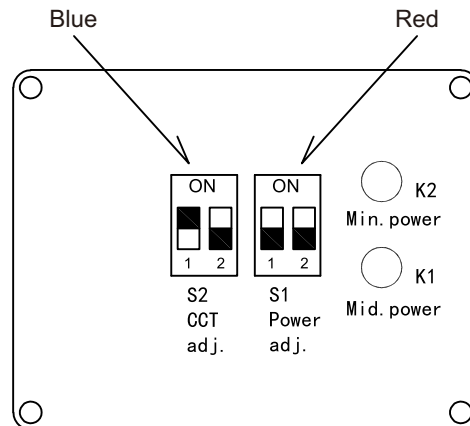
Model	EX-xxxW I2	EX-xxxW I4
Lumen Output	3,900-13,000Lm	3,900-26,000Lm
Efficacy	130Lm/W	
CCT (Adjustable)	4000K/5000K/6000K	
CRI	> 70	
Beam Angle	120°	
Dimming	0/1-10V dimming	
Lifespan	LED lumen maintenance: L70> 150,000 operation hours@55°C	

• Mechanical

Model	EX-xxxW I2	EX-xxxW I4
Housing	Copper-free aluminum	
Diffuser	Tempered glass	
Hardware	Stainless steel	
Protection	IP66/IK08	
Mounting	Ceiling, Pole, Wall, Chain, Pendant	
Cable Entries	Top: 3/4" NPT (standard), 1/2" NPT Both sides: 3/4" NPT (standard), 1/2" NPT	
Warranty	5 years	

Power and CCT Adjuster

- (1) Power Adjuster:
Connect to the 0/1-10V dimming port of the LED driver.
- (2) CCT Adjuster:
Connect the output voltage of the LED driver: DC20-60V
LED driver maximum no-load output voltage: 68V max
- The three-gear power setting principle is as follows:
The first gear is 100%, the second gear is 70-80%, and the third gear is 50-60%. The minimum setting cannot be lower than 50%.

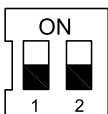


Operating Instructions

S1 DIP switch - Red (S1 Power adj.)

The power adjustment dial switch can be set to three power levels, and the factory default setting can be defined according to order requirements.

1. First gear (Max. power), 100% full power.
Operation instructions: Dial 1 and 2 are both in the OFF position;

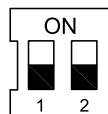


Example: 100W

S2 DIP switch - Blue (S2 CCT adj.)

The color temperature dial switch can be set to three levels of color temperature, and the factory default setting can be defined according to order requirements.

1. First gear, the cold white temperature gear, for example, 6000K.
Operation instructions: Dial 1 and 2 are both in the OFF position;

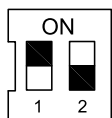


6000K

LED Explosion Proof Light EX-I Series with Adjustable Power and CCT

2. Second gear (Mid. power), 70%-80% power, can be set according to the required power.

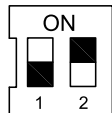
Operation instructions: Dial 1 is in the ON position, Dial 2 is in the OFF position;



Example: 80W

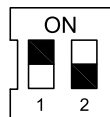
3. Third gear (Min. power), 50%-60% power, can be set according to the required power.

Operation instructions: Dial 1 is in the OFF position, Dial 2 is in the ON position;



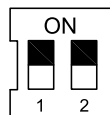
Example: 60W

2. Second gear, the neutral temperature gear, for example, 5000K.
Operation instructions: Dial 1 is in the ON position, and Dial 2 is in the OFF position;



5000K

3. Third gear, the warm white temperature gear, for example, 4000K.
Operation instructions: Dial 1 and 2 are both in the ON position;



4000K

Product Dimensions (unit: mm [inch])

Model: EX-xxxW I2	Model: EX-xxxW I4

Packing Information

Model	Net Weight	Gross Weight	Quantity / Carton	Package Dimension (LxWxH)
EX-xxxW I2	17.5 kg / 38.58 lb	18.5 kg / 40.79 lb	1 piece	649x358x204mm / 25.55x14.09x8.03inch
EX-xxxW I4	21.0 kg / 46.30 lb	24.0 kg / 52.91 lb	1 piece	1248x358x204mm / 49.13x14.09x8.03inch

Ordering Guide

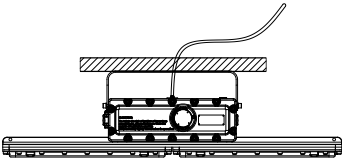
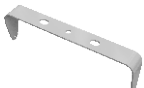
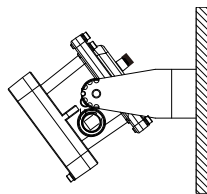
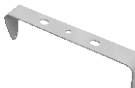
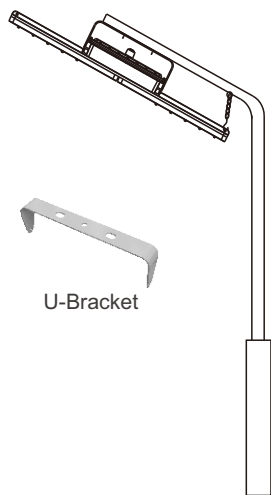
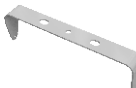
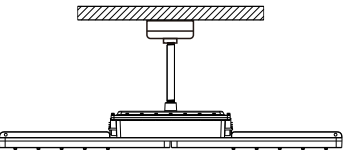

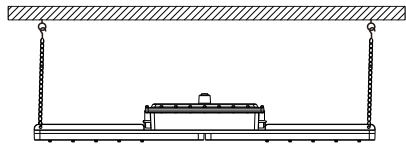

EX - **xxxW** **XX** * **Y** **Z** **D** **E** **F**
 1 2 3 4 5 6 7 8

1. Basic Model Series Name	2. Rated Input Wattage	3. Lamp Enclosure Heatsink	4. Dimming Option	5. Color Temperature	6. Unit of Beam Angle	7. Beam Angle	8. Diffuser Type
EX	for I2: 20-100W for I4: 20-200W	I2 I4	D = dimmable	20 = 2000K 30 = 3000K 40 = 4000K 50 = 5000K 57 = 5700K 65 = 6500K 75 = 7500K	D = degree	120 = 120 degrees	Blank = Flat Glass

Example: EX-40W I2D50D120

EX	40W	I2	D	50	D	120	
Basic model series name	Rated input wattage: 40W	Lamp Enclosure Heatsink: I2	Dimmable	CCT 5000K	Degree	Beam angle 120°	Flat glass diffuser

Mounting Methods and Accessories

Ceiling Mount	Wall Mount	Pole Mount
  U-Bracket	  U-Bracket	  U-Bracket
Pendant Mount	Chain Mount	
  Junction Box EX-HD51-KB1	  Pendant Chain Ex-Straight Chain	