



EX-FLG Series

Hazardous Location LED Linear Luminaire





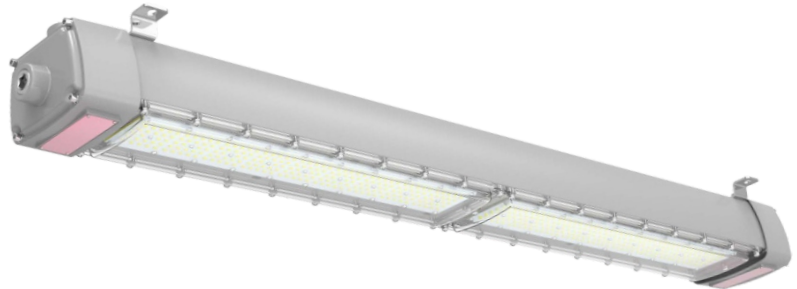
EX-FLG

Hazardous Location LED Luminaire

The EX-FLG series LED fixture is the ideal choice for hazardous applications requiring a linear design. It is designed to be installed in areas where flammable gases, vapors, or dusts are expected to create a risk of explosion or fire.



EX-xxxW FLGA2 YZDA-A



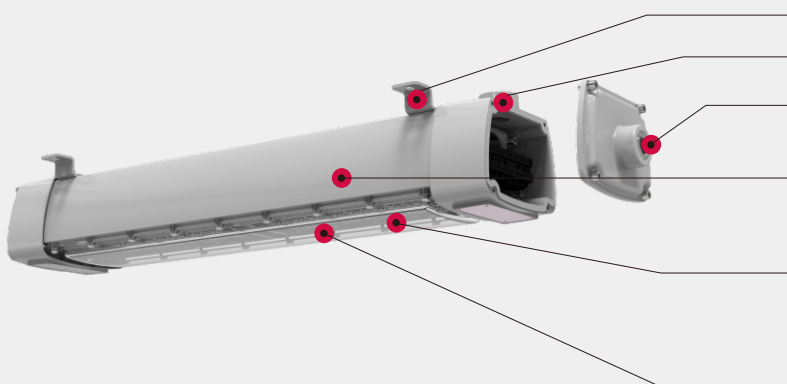
EX-xxxW FLGA4 YZDA-A

Compliance

- UL 844 Hazardous Locations
- Class I Division 2, Group A, B, C, D
- 500 hours salt spray
- IP66
- IK10

Applications

- ✓ Heavy Industrials Storage Facility
- ✓ Paper Mills
- ✓ Chemical Processing Facility
- ✓ Power Plants
- ✓ Petrochemical Processing Facility
- ✓ Offshore Environments
- ✓ Wastewater Treatment Plants
- ✓ Food and Alcohol Industry



Built tough.

- Fixed mounting bracket for easy installation.
- Cable entry on the top
- One wiring access cover with captive screws on both sides.
- Aluminum housing for excellent corrosion resistance and heat transfer properties.
- Optical system with PC diffuser with high visual comfort and uniform lighting distribution, multiple optical distribution options.
- Excellent quality optics, longer installation distance between luminaires for lower costs.

Technical Parameter

• Electrical

Model	EX-xxxW FLG2 YZDA-A	EX-xxxW FLG4 YZDA-A
Power (Adjustable.)	40W-75W	60W-140W
Emergency Option	Yes	Yes
Emergency Power (Max.)	8W (A Series)	8W (A Series)
Emergency Time	1.5 hours	1.5 hours
Input Voltage	AC100-277V; AC100-347V; AC200-480V	
Frequency	50/60Hz	
Power Factor	> 0.95	

• Optical

Model	EX-xxxW FLG2 YZDA-A	EX-xxxW FLG4 YZDA-A
Lumen Output	7400-12500Lm	19000-25000Lm
Efficacy	175 lm/W	
CCT (Adjustable.)	4000K/5000K/6000K	
LED Chip	2835	
CRI	Ra70	
Beam Angle	120°	
Dimming	0-10V dimming optional	
Lifespan	LED lumen maintenance: L70> 71000 operation hours@25°C	

• Environmental - Ambient Temperature

Working Mode	EX-xxxW FLG2 YZDA-A	EX-xxxW FLG4 YZDA-A
Normal	T6: -40°C to +40°C; T5: -40°C to +50°C; T4: -40°C to +55°C	
Emergency	0°C to +55°C	

• Mechanical

Model	EX-xxxW FLG2 YZDA-A	EX-xxxW FLG4 YZDA-A
Fixture Dimension	6.1x5.35x28.35inch	6.1x5.35x49.61inch
Mounting Dimension	19.69x5.71x0.35inch	40.94x5.71x0.35inch
Housing Material	Aluminum	
Diffuser Material	Polycarbonate (PC)	
Chip Lens	Polycarbonate (PC)	
Finish	Corrosion resistant gray finish	
Protection	IP66/IK10/500 hours salt spray	
Hardware	SUS304	
Mounting	Ceiling,Pole,Guide Rail	
Cable Entry	3/4" NPT	
Outlet	1. One wiring access cover with captive screws on both sides. 2. Wiring is not included. It can be customized if required.	
Warranty	5 years	

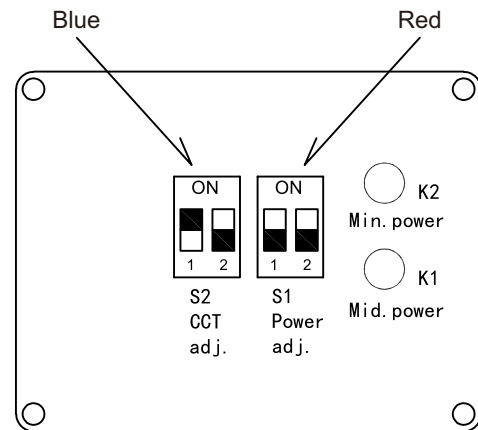
Power and CCT Adjustable

Power and CCT Adjuster



Power and CCT Adjuster

- (1) Power Adjuster:
Connect to the 0/1-10V dimming port of the LED driver.
- (2) CCT Adjuster:
Connect the output voltage of the LED driver: DC20-60V
LED driver maximum no-load output voltage: 68V max
- The three-gear power setting principle is as follows:
The first gear is 100%, the second gear is 70-80%, and the third gear is 50-60%. The minimum setting cannot be lower than 50%.

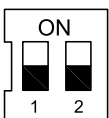


Operating Instructions

S1 DIP switch - Red (S1 Power adj.)

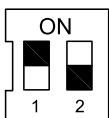
The power adjustment dial switch can be set to three power levels, and the factory default setting can be defined according to order requirements.

1. First gear (Max. power), 100% full power.
Operation instructions: Dial 1 and 2 are both in the OFF position;



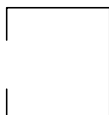
Example: 100W

2. Second gear (Mid. power), 70%-80% power, can be set according to the required power.
Operation instructions: Dial 1 is in the ON position, Dial 2 is in the OFF position;



Example: 80W

3. Third gear (Min. power), 50%-60% power, can be set according to the required power.
Operation instructions: Dial 1 is in the OFF position, Dial 2 is in the ON position;

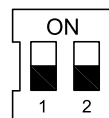


Example: 60W

S2 DIP switch - Blue (S2 CCT adj.)

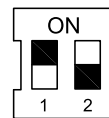
The color temperature dial switch can be set to three levels of color temperature, and the factory default setting can be defined according to order requirements.

1. First gear, the cold white temperature gear, for example, 6000K.
Operation instructions: Dial 1 and 2 are both in the OFF position;



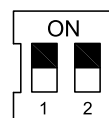
6000K

2. Second gear, the neutral temperature gear, for example, 5000K.
Operation instructions: Dial 1 is in the ON position, and Dial 2 is in the OFF position;



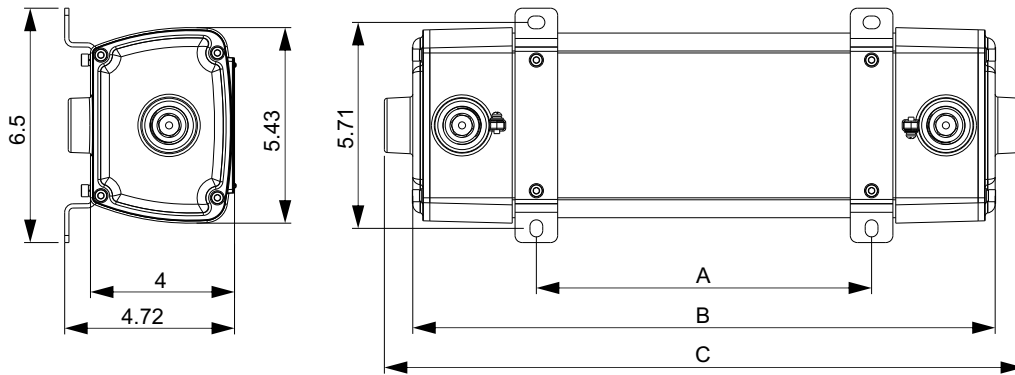
5000K

3. Third gear, the warm white temperature gear, for example, 4000K.
Operation instructions: Dial 1 and 2 are both in the ON position;



4000K

Product Dimension (Unit: inch)



Model	A	B	C
FLFG2	19.69	26.77	28.35
FLFG4	40.94	48.03	49.61

Mounting Methods and Accessories

• Option 1 : Ceiling Mounting



• Option 2 : Pole Mounting



• Option 3 : Guide Rail Mounting

