



EX-FLG Series

Hazardous Location LED Linear Luminaire





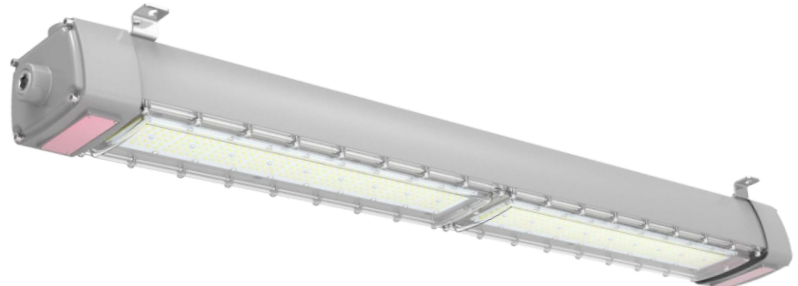
EX-FLG

Hazardous Location LED Luminaire

The EX-FLG series LED fixture is the ideal choice for hazardous applications requiring a linear design. It is designed to be installed in areas where flammable gases, vapors, or dusts are expected to create a risk of explosion or fire.



EX-xxxW FLGA2 YZDA-A



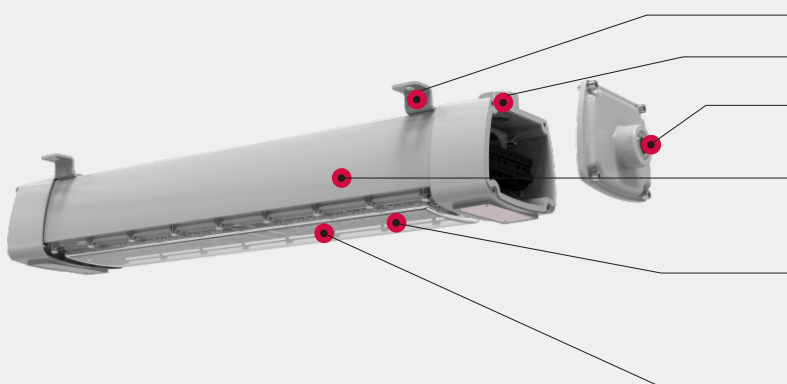
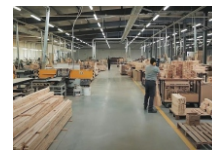
EX-xxxW FLGA4 YZDA-A

Compliance

UL 844 Hazardous Locations
 Class I Division 2, Group A, B, C, D
 500 hours salt spray
 IP66
 IK10

Applications

- ✓ Heavy Industrials Storage Facility
- ✓ Paper Mills
- ✓ Chemical Processing Facility
- ✓ Power Plants
- ✓ Petrochemical Processing Facility
- ✓ Offshore Environments
- ✓ Wastewater Treatment Plants
- ✓ Food and Alcohol Industry



Built tough.

- Fixed mounting bracket for easy installation.
- Cable entry on the top
- One wiring access cover with captive screws on both sides.
- Aluminum housing for excellent corrosion resistance and heat transfer properties.
- Optical system with PC diffuser with high visual comfort and uniform lighting distribution, multiple optical distribution options.
- Excellent quality optics, longer installation distance between luminaires for lower costs.

Technical Parameter

- Electrical

Model	EX-xxxW FLG2 YZDA-A	EX-xxxW FLG4 YZDA-A
Power (Adjustable.)	40W-75W	60W-140W
Emergency Option	Yes	Yes
Emergency Power (Max.)	8W (A Series)	8W (A Series)
Emergency Time	1.5 hours	1.5 hours
Input Voltage	AC100-277V; AC100-347V;AC200-480V	
Frequency	50/60Hz	
Power Factor	> 0.95	

- Optical

Model	EX-xxxW FLG2 YZDA-A	EX-xxxW FLG4 YZDA-A
Lumen Output	7400-12500Lm	19000-25000Lm
Efficacy	175 lm/W	
CCT (Adjustable.)	4000K/5000K/6000K	
LED Chip	2835	
CRI	Ra70	
Beam Angle	120°	
Dimming	0-10V dimming optional	
Lifespan	LED lumen maintenance: L70> 71000 operation hours@25°C	

- Environmental - Ambient Temperature

Working Mode	EX-xxxW FLG2 YZDA-A	EX-xxxW FLG4 YZDA-A
Normal	T6: -40°C to +40°C; T5: -40°C to +50°C; T4: -40°C to +55°C	
Emergency	0°C to +55°C	

- Mechanical

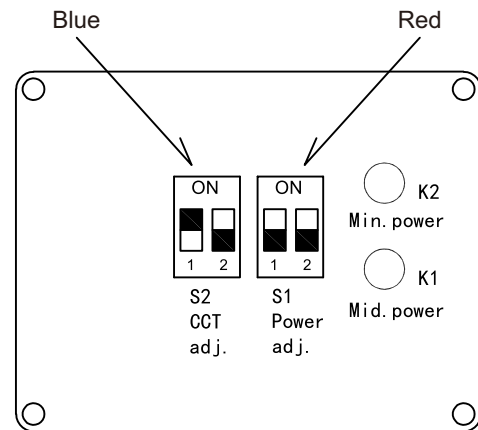
Model	EX-xxxW FLG2 YZDA-A	EX-xxxW FLG4 YZDA-A
Fixture Dimension	6.1x5.35x28.35inch	6.1x5.35x49.61inch
Mounting Dimension	19.69x5.71x0.35inch	40.94x5.71x0.35inch
Housing Material	Aluminum	
Diffuser Material	Polycarbonate (PC)	
Chip Lens	Polycarbonate (PC)	
Finish	Corrosion resistant gray finish	
Protection	IP66/IK10/500 hours salt spray	
Hardware	SUS304	
Mounting	Ceiling,Pole,Guide Rail	
Cable Entry	3/4" NPT	
Outlet	1. One wiring access cover with captive screws on both sides. 2. Wiring is not included. It can be customized if required.	
Warranty	5 years	

Power and CCT Adjustable

Power and CCT Adjuster



- (1)Power Adjuster:
Connect to the 0/1-10V dimming port of the LED river.
- (2)CCT Adjuster:
Connect the output voltage of the LED driver: DC20-60V
LED driver maximum no-load output voltage: 68V max
- The three-gear power setting principle is as follows:
The first gear is 100%, the second gear is 70-80%, and the third gear is 50-60%. The minimum setting cannot be lower than 50%.

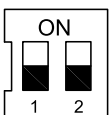


Operating Instructions

S1 DIP switch - Red (S1 Power adj.)

The power adjustment dial switch can be set to three power levels, and the factory default setting can be defined according to order requirements.

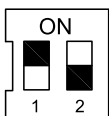
- 1.First gear (Max. power), 100% full power.
Operation instructions: Dial 1 and 2 are both in the OFF position;



Example: 100W

- 2.Second gear (Mid. power), 70%-80% power, can be set according to the required power.

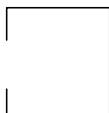
Operation instructions: Dial 1 is in the ON position, Dial 2 is in the OFF position;



Example: 80W

- 3.Third gear (Min. power), 50%-60% power, can be set according to the required power.

Operation instructions: Dial 1 is in the OFF position, Dial 2 is in the ON position;

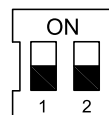


Example: 60W

S2 DIP switch - Blue (S2 CCT adj.)

The color temperature dial switch can be set to three levels of color temperature, and the factory default setting can be defined according to order requirements.

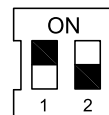
- 1.First gear, the cold white temperature gear, for example, 6000K.
Operation instructions: Dial 1 and 2 are both in the OFF position;



6000K

- 2.Second gear, the neutral temperature gear, for example, 5000K.

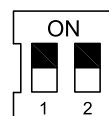
Operation instructions: Dial 1 is in the ON position, and Dial 2 is in the OFF position;



5000K

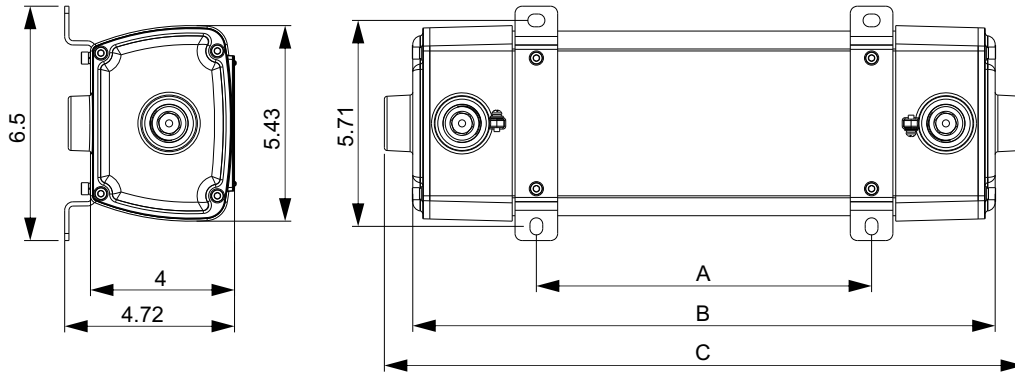
- 3.Third gear, the warm white temperature gear, for example, 4000K.

Operation instructions: Dial 1 and 2 are both in the ON position;



4000K

Product Dimension (Unit: inch)



Model	A	B	C
FLFG2	19.69	26.77	28.35
FLFG4	40.94	48.03	49.61

Mounting Methods and Accessories

• Option 1 : Ceiling Mounting



• Option 2 : Pole Mounting



• Option 3 : Guide Rail Mounting

