



V Series

Explosion Proof Edge Lit LED Exit Sign



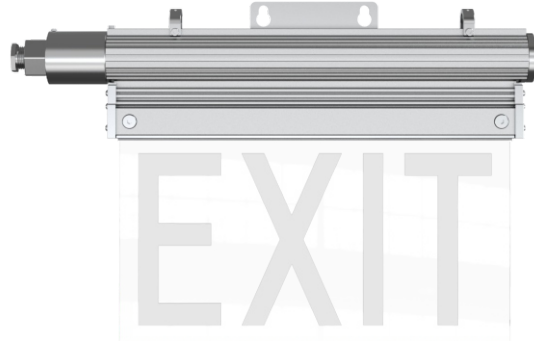
V Series

Explosion Proof Edge Lit LED Exit Sign



Features:

- Suitable for wet location.
- Light weight and compact structure.
- Integrated junction box for driver with emergency backup.
- Ingress protection rating IP66.
- Low energy consumption.
- 3-hour emergency operation.
- Stainless-steel exposed fasteners with high corrosion resistance.
- Alternate exit legend and languages available.
- Sealed unit. BATTERY not replaceable. Replace entire exit sign unit when necessary.



Two Options of Function:

- Model 1: EXIT sign remains on with or without mains electricity.
- Model 2: EXIT sign does not light up when there is mains electricity, but only lights up when there is a power outage.

Specifications:

Models	EX-5WVNRD180 (utilize red LEDs) EX-5WVNGD180 (utilize green LEDs)
Electrical Ratings	100-277VAC, 60Hz, 0.5A, 5W
Emergency Time	3 hours
Lifespan	50,000 hours
Warranty	5-year limited warranty
Ambient Temperature	-20°C to +60°C
Charge Time	24 hours

Certifications:

- UL 844 Hazardous Locations
Class I, Division 2, Groups A, B, C, D
Class II, Division 1, Groups E, F, G
Class II, Division 2, Groups F, G
Class III
- UL 924
- ABS

Standard Materials:

- Housing: Aluminum
- EXIT sign plate: Tempered glass
- Hardware: Stainless steel
- Mounting Sling: Stainless steel

Explanation of Indicator Light:

- If three or two indicator lights remain on during initial power on, it is necessary to reset them by detecting the switch: press the switch "ON" for 5 to 6 seconds ->OFF ->ON.
- **RED:**
 1. Fast charging for 2 hours.
 2. Charging indicator, displaying 20% -80% battery capacity.
- **GREEN:**
 1. Trickle charging.
 2. Charging indicator, displaying 80% -100% battery capacity.
 3. Green light on when disconnecting the battery.
- **RED and GREEN:**
Red and Green flashes alternately for 5 minutes, indicating that it is at 80% battery capacity.

Description of Switch:

- 1. Press the switch "ON" once, the EXIT sign and indicator light will flash once, with an ON/OFF interval of 10 seconds.
- 2. With mains electricity disconnected, long press and hold the switch for 3 to 5 seconds to turn off the product. If the EXIT sign needs to be turned on again, it will be activated through mains electricity.

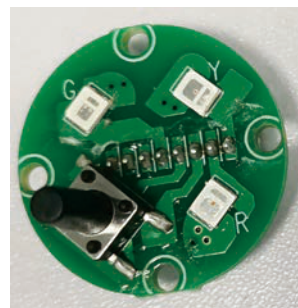
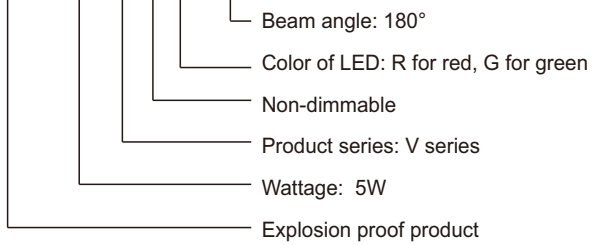


Image: Indicator light LED and Tact Switch

V Series Explosion Proof Edge Lit LED Exit Sign

Model Encoding:

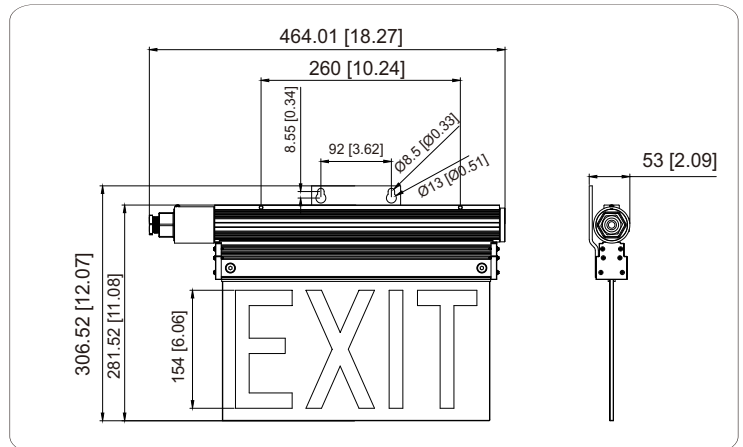
EX - 5W V N * D180



Model number list:

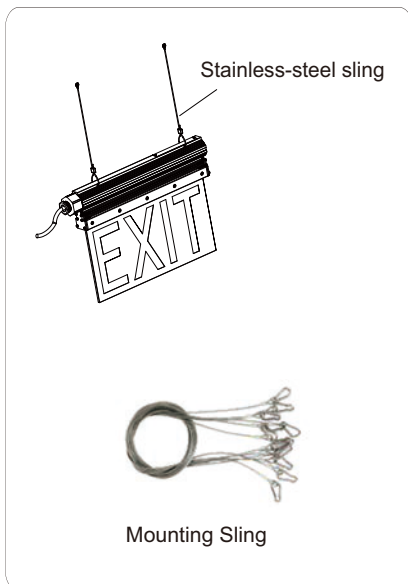
EX-5WVNRD180, EX-5WVNGD180

Dimension:

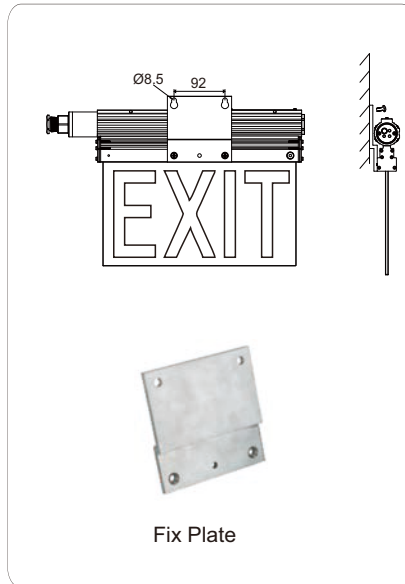


Mounting:

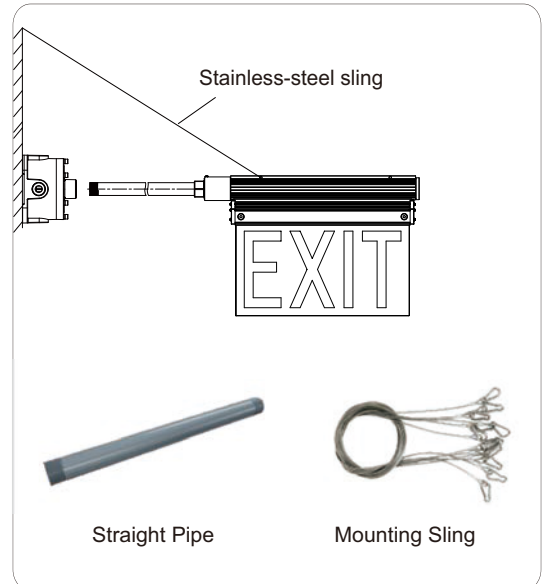
◆ Pendant Mounting:



◆ Wall Mounting:



◆ Pipe Mounting:



Packing Information:

Model	Quantity/Carton	Packing Size	Net Weight	Gross Weight
V Series	2 Pcs	18.50x18.50x10.24inch	7.28 lbs	15.43 lbs